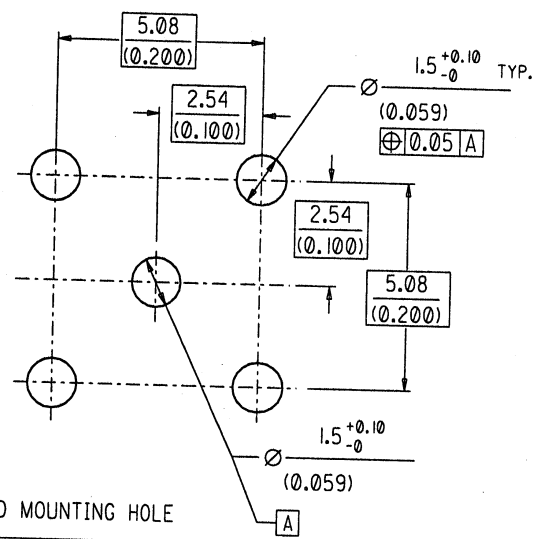
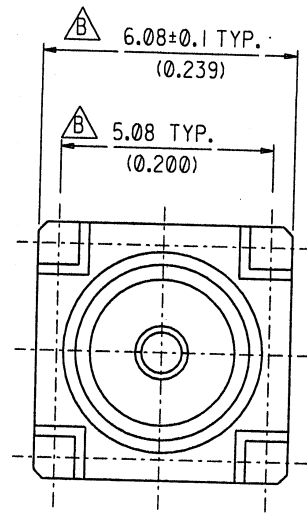
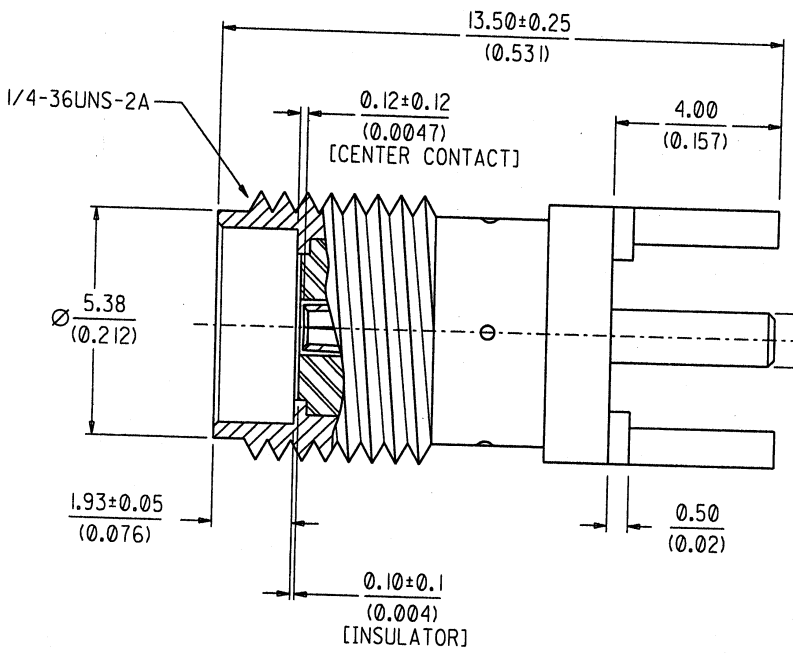


ENG. NO. 73391-0070

EDP NO.

CAUT ILL. NO. S391007.S01 | SIMILAR ITEM



CONSTRUCTION:

- BODY-----BRASS
- INSULATOR-----TEFLON
- CENTER CONTACT-----BERYLLIUM COPPER

FINISH :

- BODY-----GOLD PLATING (10 U" MIN)
- CENTER CONTACT-----GOLD PLATING (10 U" MIN.)

MECHANICAL & ELECTRIC CHARACTERISTICS:
PER PRODUCT SPECIFICATION PS-73436-009

PACKAGING : TRAY

RECOMMENDED MOUNTING HOLE

| | | | | | | | | | | |
|---|--|--|--|--------------|----------------------|--|---|---|----------------------------|-----------------------------|
| CHANGE DIMENSION EC NO. RF-0122 DRWN: LYNN LIN CHK: JOHNSON CHANG APPR: MISEN HUANG | NEW RELEASE EC NO. RF-0110 DRWN: LYNN LIN CHK: MISEN HUANG APPR: MISEN HUANG | QUALITY SYMBOLS MAJOR = CRITICAL = | GENERAL TOLERANCES: (UNLESS SPECIFIED) | | SCALE 8:1 | DESIGN UNITS <input checked="" type="checkbox"/> mm <input type="checkbox"/> INCH | DIMENSIONS: <input checked="" type="checkbox"/> mm <input type="checkbox"/> INCH <input type="checkbox"/> mm <input type="checkbox"/> mm | SHT REV REVISE ON CAD ONLY | | |
| | | | 4 PLACES ±0. | 3 PLACES ±0. | 2 PLACES ±0.25 ±.010 | 1 PLACE ±0.25 ±.010 | DRAWN BY & DATE LYNN LIN 981019 | TITLE: 50 OHM SMA (J) VERTICAL PCB RECEPTACLE | | |
| | | | ANGULAR: ±3° | | | | CHECKED BY & DATE A. Chang | MOLEX INCORPORATED | | |
| | | | DRAFT WHERE APPLICABLE MUST REMAIN WITHIN DIMENSIONS | | | | APPROVED BY & DATE Misen Huang | CAD FILENAME S391007.S01 | MATERIAL NO. 73391-0070 | DRAWING NO. SD-73391-007 |

THIS DRAWING CONTAINS INFORMATION THAT IS PROPRIETARY TO MOLEX INCORPORATED AND SHOULD NOT BE USED WITHOUT WRITTEN PERMISSION.